

MD-2UDS19LCD-X2

2U Dual 19" LCD Server Console



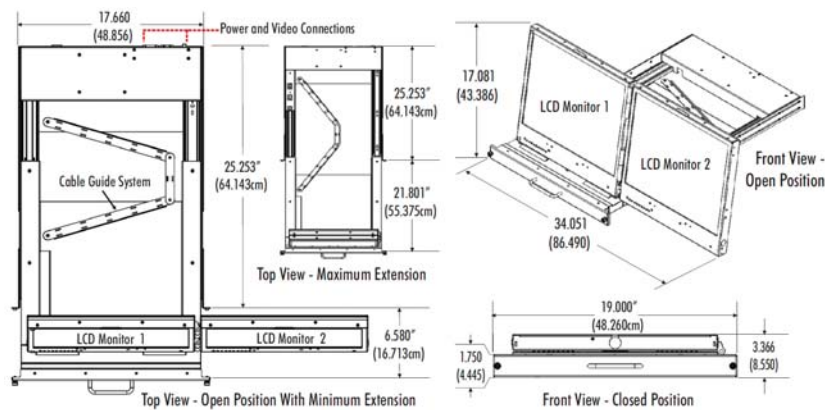
The MD-2UDS19LCD-X2 delivers high-performance dual LCD monitor capability using only 3.5" (2U) of rack mounting space. The dual 19" diagonal high-performance displays deliver superior graphics and image clarity in multi-faceted military system installations, human machine interface (HMI) control applications, process automation systems, broadcasting control facilities and medical imaging applications. The MD-2UDS19LCD-X2 fits in racks with a minimum depth of 26". Additional mounting options are available.

MODELS

MD-2UDS19LCD-X2 -R > Second monitor opens **Right**
 MD-2UDS19LCD-X2 -L > Second monitor opens **Left**

KEY FEATURES

- Dual 2U Rack-Mount Monitor Drawer Housing
- Dual 19-inch Diagonal Flat Panel LCD Displays
- Each Monitor Features a TFT Active Matrix LCD with 4 CCFL's for Long-Life Reliability and Uniform Backlighting Coverage
- Native SXGA Screen Resolution - 1280x1024 Pixels
16 Million Colors
- High Contrast - Extremely Wide Viewing Angle
- 4:3 Aspect Ratio (each monitor)
- Integrated Slides and Cable Management Guides
- All Aluminum Enclosure Design
- Touchscreen Optional



MD-2UDS19LCD-X2



Specifications

DESCRIPTION

Dual 2U rack-mount monitor drawer containing two 19" LCD displays with high-contrast ratio and native SXGA resolution.

MONITOR SIZE

Each monitor measures 19" diagonal with a 1.616" depth including the monitor frame.

MONITOR TYPE

Each monitor features a TFT Active Matrix LCD with 4 CCFL's for long-life, uniform backlighting coverage.

ASPECT RATIO

4:3 (each monitor)

RESOLUTION

1280x1024, SXGA with a color depth of 16 million colors (each monitor).

BRIGHTNESS

300 NITS cd/m² with a contrast ratio of 1000:1. Each monitor has a response time of 8ms GTG (typical) and 20ms (typical) for on/off operations.

PIXEL PITCH

0.294mm x 0.294mm (H x W)

VIEWING ANGLE

89° Left and Right of center (178° total);
89° Up and Down of center (178° total).

SURFACE GLASS TREATMENT

Hard-coating (3H), non-glare treatment

CONNECTORS

2 DVI, 2 VGA, 2 S-Video and 2 RCA

TOUCH SCREEN

Optional optically-bonded resistive available upon request.

TEMPERATURE

0° to 50°C operating and -20° to 60°C non-operating.

HUMIDITY

5% to 90% relative humidity operating and non-operating (non-condensing).

RAILS

Pre-integrated slides with cable management guides.

MONITOR HINGE

2 Heavy Duty torque hinges support up to 60 lbs (27.24 Kg).

DIMENSIONS

Width: 19.0" / 48.3 cm

Height: 3.37" / 8.56 cm

Depth: 25.25" / 64.14 cm

Designed for mounting in 26" - 36"
(66.04cm - 91.44 cm) deep racks.

NET WEIGHT

32 lbs (14.53Kg)

POWER SUPPLY

+12VDC low-power operation with IP67 power connector; external supply with a +12 to +14.5 VDC output range (typical).

Please contact us for ordering and pricing information.

MicroDISC
IMAGE PROCESSING SPECIALISTS

301 Oxford Valley Road, Suite 1101
Yardley, PA 19067

Tel 215.321.9100
Fax 215.321.9190

www.microdisc.com
sales@microdisc.com