

# EoSens<sup>®</sup> 25CL+

## High-Speed CMOS Camera



### EoSens<sup>®</sup> 25CL+ Key Features:

- 32 fps at 25 megapixel resolution
- Based on OnSemi PYTHON sensor
- Full Camera Link<sup>®</sup> configuration
- Extremely sensitive
- Compact, fanless design

1288   
EMVA Standard Compliant



GEN<i>CAM

## Engineered for Sensitivity

Powered by an advanced OnSemi PYTHON sensor, the EoSens<sup>®</sup> 25CL+ supports 32 frames per second at 5,120 x 5,120 pixel resolution. With an extraordinary photo-sensitivity of 5.8 V/lux\*s @550nm this high-speed CMOS camera delivers high-contrast images even in low-light conditions.

Contained within a robust and small metal housing, it is engineered for use in rough environments.

The camera is available in Full Camera Link<sup>®</sup> configuration. This high-speed serial interface transmits up to 850 Mbytes per second and includes camera control and I/O over two cables.

### APPLICATION EXAMPLES

- PCB inspection
- Wafer inspection
- Aerial surveillance
- Surface inspection
- Flaw detection
- Materials science
- LCD panel inspection
- LED inspection



**MIKROTRON**  
High-Speed Vision Solutions

## Standardized Interface

The camera takes advantage of Camera Link® technology. This widely adopted standard has a number of benefits:

- High speed, high pixel depth and large image sizes
- Easy to configure camera attributes
- Triggering and timing capability
- Power and data over one cable
- Uniform cabling
- Easy handling

## Frame Rates

Resolution	Frame rate
5,120 x 5,120 px	32 fps
4,096 x 3,072 px	65 fps
1,920 x 1,080 px	392 fps
1,280 x 1,024 px	610 fps
1,024 x 768 px	992 fps

## Smart Features

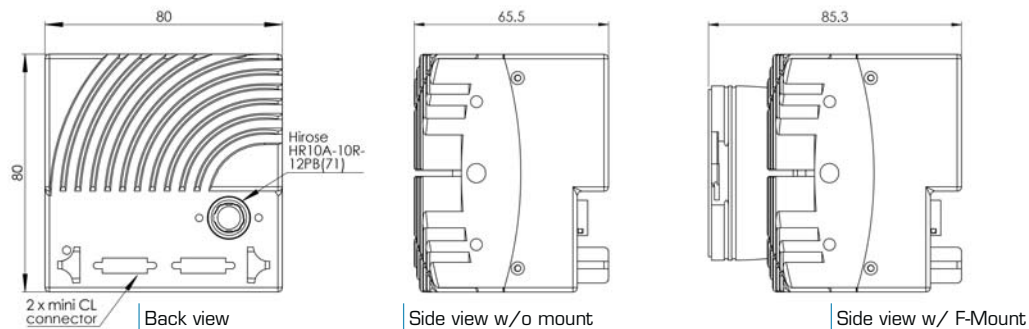
- PoCL
- Trigger Modes
- Arbitrary ROI
- FPN Correction
- GPIO
- PRNU Correction

## Technical Data

(More detailed specifications are available on request)

	EoSens® 25CL+ (monochrome / color)
Resolution	25 Mpix
Active pixels	5,120 x 5,120 px
Interface	Camera Link® Full
Frame rate (8 bit)	32 fps
Sensor	OnSemi PYTHON 25k
Sensor type	CMOS global shutter
Sensor format	35 mm FF
Active sensor area (H x V)	23.04 x 23.04 mm
Pixel size	4.5 x 4.5 µm
Sensitivity (mono)	5.8 V/lux*s @ 550nm
Color depth	10 / 8 bit
Dynamic range	59 dB
Shutter time (steps)	1 µs
Shutter time range	1 µs – 1 s
Max. Jitter	±4 ns
Interface Connector	2 x mini CL
Mount option	F-Mount
Dimensions (W x H x L w/o mount)	80 x 80 x 66 mm
Weight (w/o mount)	540 g
Power consumption	8 W
Power supply	12 - 24 V DC
Environmental temperature	- 40 °C ... +85 °C
Shock / Vibration proof	70 g / 7 grms
Conformity	CE / RoHS / GenlCam / Camera Link®
EMVA1288 reports	✓

## Camera Body Dimensions



## MIKROTRON GmbH

MIKROTRON GmbH provides a full range of high-speed imaging solutions for challenging applications in industry, engineering, science and sports. The company's extreme slow-motion recording enables customers to optimize manufacturing processes, improve product design, revolutionize quality management and analyze motion.

**Germany**  
Landshuter Str. 20-22  
D-85716 Unterschleissheim  
Phone: +49(0)89-726342-00  
E-Mail: info@mikrotron.de  
Web: www.mikrotron.de

**North America**  
14032 Hermosillo Way  
US-Poway, CA 92064  
Phone: +1-858-774-1176  
E-Mail: steve.ferrell@mikrotron.de  
Web: www.mikrotron.de

