

## MV1-D1280-120-G2

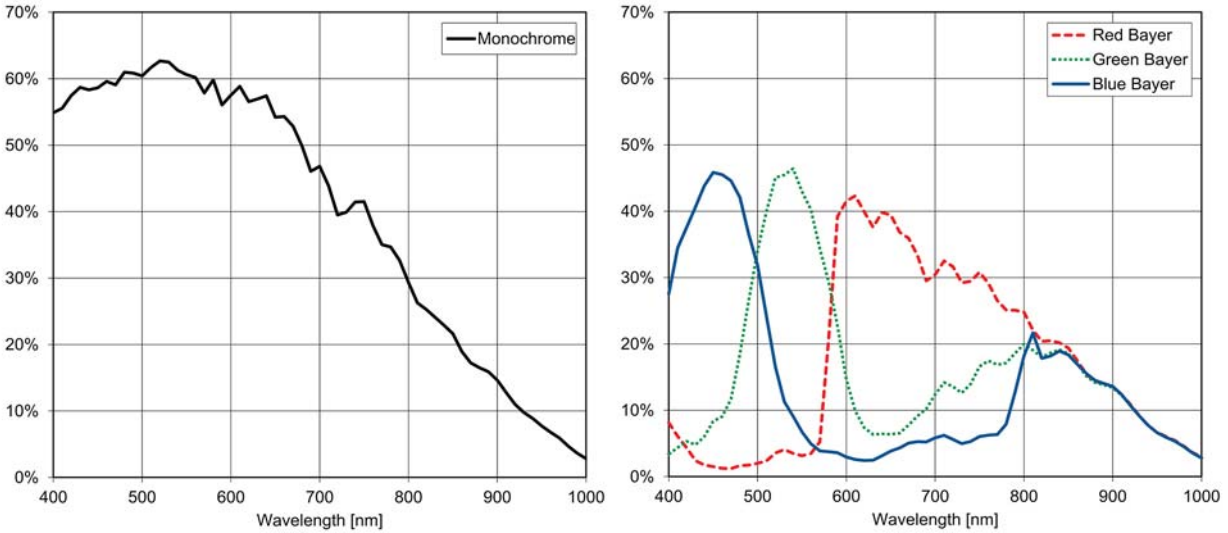
The camera series MV1-D1280(C)-G2 are based on the e2v EV76C560 CMOS image sensor

### Features

- e2v EV76C560 CMOS image sensor
- 1280 x 1024 pixel resolution
- Suitable for standard and low light applications
- Up to 65fps @ full resolution
- Global shutter
- Available in monochrome and color
- Extended sensor and camera features
- Up to 10bit greyscale resolution
- Boardlevel and OEM solution available
- GigEVision interface



## Quantum Efficiency Image Sensor



## Image Sensor Specifications

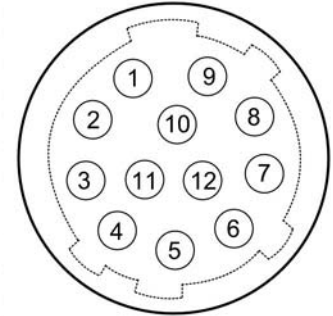
Manufacturer / Type	e2v, EV76C560
Technology	CMOS
Optical format	1/1.8"
Optical diagonal	8.7mm
Resolution	1280 x 1024
Pixel size	5.3 $\mu$ m x 5.3 $\mu$ m
Active optical area	6.9mm x 5.5mm
Dark current	280e-/s
Read out noise	15e-
Full well capacity / SNR	12ke- / 109:1
Spectral range	Monochrome: < 350 to 970nm (to 10% of peak responsivity) Color: < 390 to 670nm (to 10% of peak responsivity)
Responsivity	Monochrome: 984 x 10 <sup>3</sup> DN / (J/m <sup>2</sup> ) @ 520nm / 8bit Color: 746 x 10 <sup>3</sup> DN / (J/m <sup>2</sup> ) @ 540nm / 8bit
Quantum Efficiency	Monochrome: > 63% Color: > 46%
Optical fill factor	60%
Dynamic range	60dB
Characteristic curve	Linear
Shutter mode	Global Shutter

## Camera Specifications

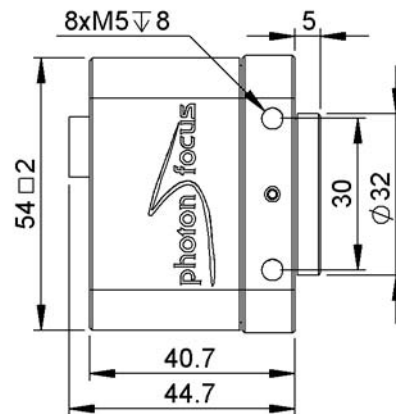
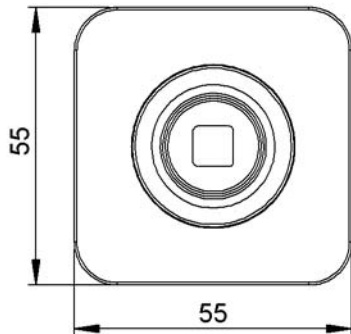
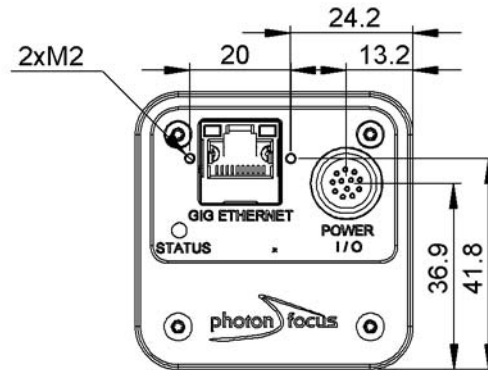
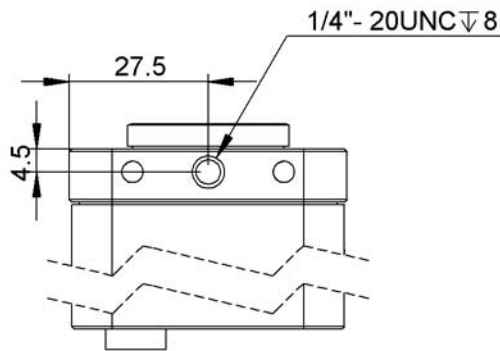
Interface	
Frame rate	65fps
Pixel clock	60MHz
Camera taps	2
Greyscale resolution	8Bit / 10Bit
Fixed pattern noise (FPN)	< 1DN RMS @ 8bit
Exposure time range	13 $\mu$ s - 279ms
Analog gain	yes
Digital gain	0.1 to 15.99 (FineGain)
Trigger Modes	Free running (non triggered), external Trigger, SWTrigger
Features	Configurable region of interest (ROI), Decimation in x- and y-direction, 2 look-up tables (12-to-8Bit) on user-defined image region (Region-LUT), Constant frame rate independent of exposure time, Crosshairs overlay on the image, Temperature monitoring of camera, Camera informations readable over SDK, Ultra low trigger delay and low trigger jitter, Extended trigger input and strobe output functionality, Status line in picture
Operation temperature / moisture	0°C ... + 50°C / 20% ... 80%
Storage temperature / moisture	-25°C ... 60°C / 20% ... 95%
Power supply	+12VDC (-10%) ... +24VDC (+10%)
Power consumption	< 3W
Lens mount	C-Mount (CS-Mount optional)
I/O Inputs	2x Opto-isolated 2x RS-422 Opto-isolated
I/O Outputs	2x Opto-isolated
Dimensions	55 x 55 x 41mm <sup>3</sup>
Mass	212g
Connector I/O (Power)	Hirose 12-pole (mating plug HR10A-10P-12S)
Connector Interface	RJ-45
Conformity	CE / RoHS / WEEE
IP Code	IP40

## Connectors

Pin	I/O Type	Name	Description
1	PWR	CAMERA_GND	Camera GND 0V
2	PWR	CAMERA_PWR	Camera Power 12V... 24V
3	O	ISO_OUT0	Default Strobe out, internally Pulled up to ISO_PWR with 4k7 Resistor
4	I	ISO_INC0_N	INC0 differential input (G2: RS-422, H2: HTL), negative polarity
5	I	ISO_INC0_P	INC0 differential input (G2: RS-422, H2: HTL), positive polarity
6	PWR	ISO_PWR	Power supply 5V... 24V for output signals
7	I	ISO_IN0	IN0 input signal
8	O	ISO_OUT1 (MISC)	Q1 output from PLC, no Pull up to ISO_PWR; can be used as additional output (by adding Pull up) or as controllable switch (max. 100mA, no capacitive or inductive load)
9	I	ISO_IN1(Trigger IN)	Default Trigger IN
10	I	ISO_INC1_N	INC1 differential input (G2: RS-422, H2: HTL), negative polarity
11	I	ISO_INC1_P	INC1 differential input (G2: RS-422, H2: HTL), positive polarity
12	PWR	ISO_GND	I/O GND 0V



## Dimensions



## Explanation

DN DigitalNumber (equals to LSB)

e<sup>-</sup> Electrons

## Order Information

MV1-D1280-120-G2-10	BW model
MV1-D1280C-120-G2-10	Color model

---

## Compatibility



**Photonfocus AG**  
Bahnhofplatz 10  
CH-8853 Lachen SZ  
Switzerland

Phone: +41 55 451 00 00  
[www.photonfocus.com](http://www.photonfocus.com)  
[info@photonfocus.com](mailto:info@photonfocus.com)